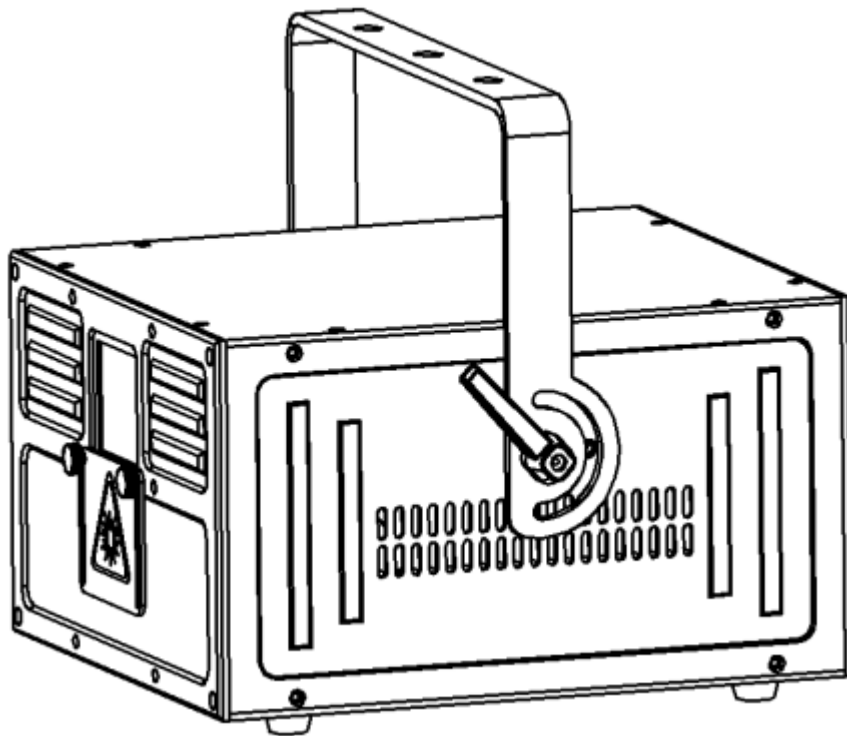


# RGB Animation Outdoor Laser

User Manual



## SPL-RGB-246

Please read this manual carefully before use!

Contents

<b>Introduction</b>	<b>P2</b>
<b>Silkscreen on product</b>	<b>P3</b>
<b>Safety instruction/Installation/Technical specification</b>	<b>P4</b>
<b>Rear panel/MENU</b>	<b>P5-6</b>
<b>DMX512 Channel</b>	<b>P7-8</b>
<b>DMX512 connection/DMX address setting</b>	<b>P9</b>
<b>Ringling</b>	<b>P10</b>
<b>Cleaning and maintenance/Warning/Warranty card</b>	<b>P11</b>

**Introduction**

Thank you for purchasing this product. To optimize the performance of this product, prior to use, please read these operating instructions carefully to familiarize yourself with the basic operation of this unit. Please keep the manual in safe place for future reference.

This unit has been tested at our factory before being shipped to you, there is no assembly required.

Once after received this product, please take and put carefully. And check cautiously that whether the product was damaged or not during the transportation.

### **Checking Parts**

Please check if the following parts are included:

1 x Laser light

1 x User manual

1 x Power cable

### **Caution**

#### **CAUTION!**



**Keep this device away from rain and moisture!**



**Unplug mains lead before opening the housing!**



#### **Warning!**

**Damages caused by the disregard of this user manual are not subject to warranty. The dealer will not accept liability for any resulting defects or**

### **Symbol Instruction On The Device**

 .....CE Certificate

 .....Only indoor use

 .....Environmental protection

 .....The minimum distance from lighted objects(meter)

$T_a = \text{---} \text{ } ^\circ \text{C}$  .....Max. Ambient Temp

$T_B = \text{---} \text{ } ^\circ \text{C}$  .....Max. Housing Temp

..... Safety caution

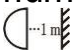


### Safety Instructions

- Please open and check whether break or not for transport once receive this fixture, if yes, not use it and contact dealer or manufacture as soon as possible.
- The Max applicable temperature for the light is 40°C. Do not use the light under or above the temperature.  $t_a = 40^\circ \text{C}$
- The fixture is applicable for many occasions, it should keep clean, and avoid long use in overheating or dusty environment. To prevent the fixture from the chemical liquid .
- User must be careful of fire, heat, electric and fall-off that make heavy or fatal injury. Please read this user manual carefully before power on and installation, following safety and operation instruction in it. If still have any questions, please contact dealer or manufacture.
- User must following this user manual, do not open fixture by yourself, if any problems, please contact professional technician, maintenance should by technician.

Do not power on or start the fixture before installation, please stop after working more

than 8 hours, which will longer use life.

- Fixed installation, do not by strong shocks.
- The minimum distance between light and the illuminated surface must be more than 1 meter. 
- Never look directly into the light source to avoid hurt to eyes (especially epileptics)!  
When dust-proof glass at light output breaks, cracks or other visible damage, user should replace with new glass to continue to use.

## **Installation**

- When install this equipment please make sure there's no flammable surfaces (decorated things, etc) and minimum distance of 0.5M from the equipment to the flammable.
- The installation of the effect has to be built and constructed in a way that it can hold 10 times the weight and without any harming deformation.
- The installation must always be secured with a secondary safety attachment, e.g. an appropriate safety rope. Never stand directly below the device when mounting, removing or servicing the fixture.

## **Technical Specifications**

Input voltage: AC100-240V, 50/60Hz

Fuse: BGDP  $\varnothing$  5x20mm 250VAC F2A

Total power: 120W

Light source: 10W RGB

Control mode: Auto/DMX512/ILDA/RJ45

Channels: 21CH

Built-in patterns: 117 patterns

Scanning system: 30Kpps scanner

Display: 2.4ft TFT color display

IP rating: IP44

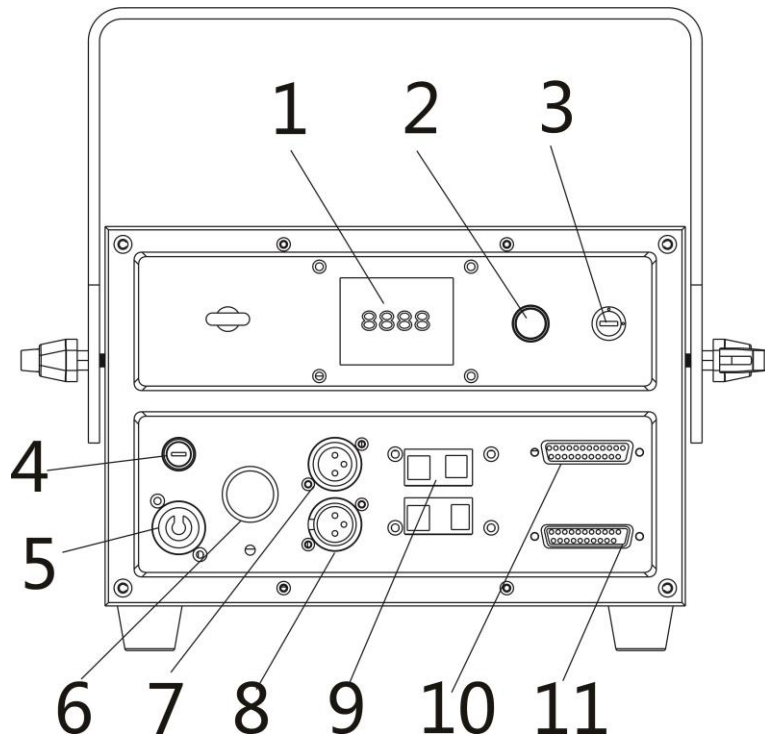
Beam angle:  $\pm 20^\circ$

Surface temp:  $T_b=45^\circ\text{C}$  ( this data testing when the environment temp is  $30^\circ\text{C}$ )

Working temp:  $10^\circ\text{C}$ -- $40^\circ\text{C}$

Modulation: Analog

## **Rear panel**



1: display

5: power input

9: ILDA-RJ45/DMX-RJ45

2: knob

6: power switch

10: 25-pin ILDA signal output

3: key switch

7: DMX signal input

11: 25-pin ILDA signal input

4: fuse

8: DMX signal output

## MENU display

MENU	UP/DOWN	Default	Function
DMX ADDR	1-512	1	DMX address setting
CHANNEL	21CH	21CH	21CH
	32CH		32CH (Hold)
	64CH		64CH( Hold)
MODE	ILDA	BREAK	ILDA mode, display shows in ILDA file circularly (file's expanded-name is ILD)
	AUTO		Auto
	SOUND		Sound
	SLAVE		Slave
	BREAK		Standby
	ILD X		ILD X, random play
	ILD 0---ILD 255		ILD files single play
SPEED	0-100	100	Auto speed from slow to fast
SENSE	0-100	90	Sound sensitivity adjust
SIZE	10-100	100	Set pattern size
PHASE XY	X+ Y+	X+ Y+	X+ Y+
	X- Y+		X- Y+
	X+ Y-		X+ Y-
	X- Y-		X- Y-
SCANNER	20K-40K	30K	Scanner speed
DIM R	0-100	100	Red dimmer
DIM G	0-100	100	Green dimmer
DIM B	0-100	100	Blue dimmer
LANGUAGE	CH/EN	CH	Language option

Remarks: Rotate the knob at display's right side to operate the menu, press knob to enter sub-menu or exit menu, after operation, double-click the knob to save the option and exit the menu.

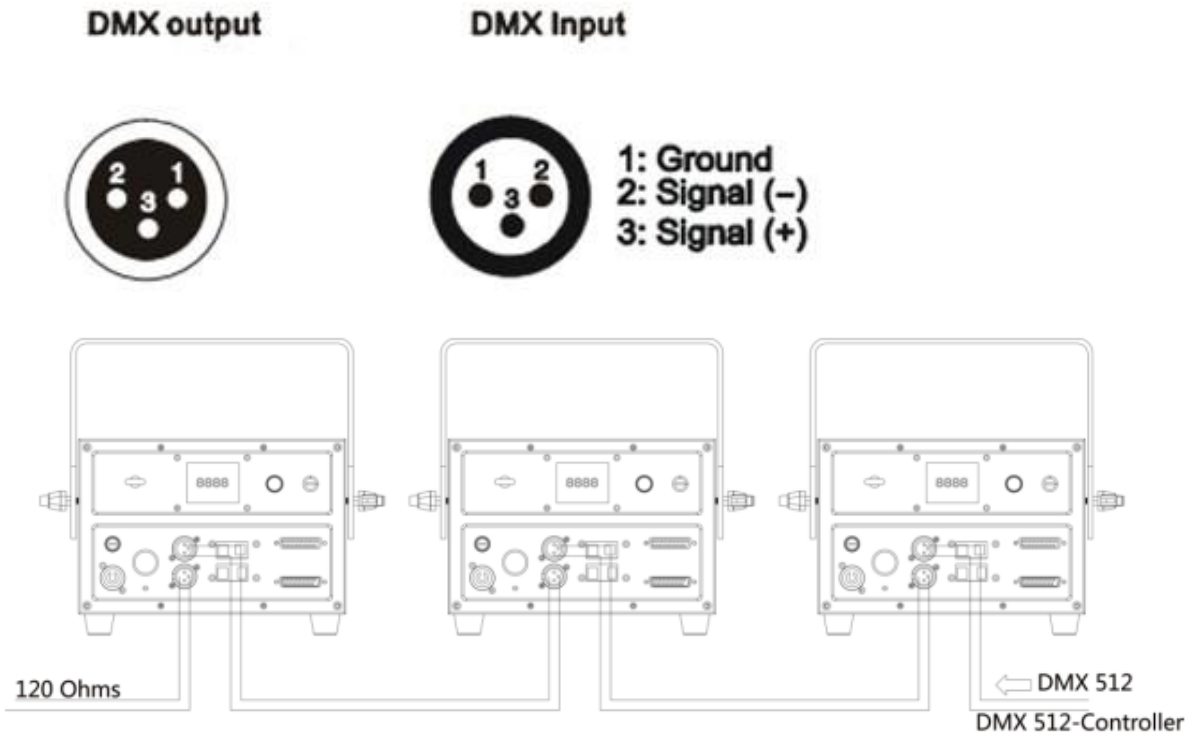
### **DMX Channel Instructions**

Channel		Value	Function
CH1	Dimmer	0-255	0-100%
CH2	Color control	0-69	White-Red-Blue-Pink-Cyan-Yellow-Green(fixed color option)
		70-79	Color change (eotic speed controlled by CH3)
		80-89	Default color (eotic speed controlled by CH3)
		90-94	Rainbow color (eotic speed controlled by CH3)
		95-114	2 segment color option, 5 data stepping (eotic speed controlled by CH3)
		115-139	3 segment color option, 5 data stepping (eotic speed controlled by CH3)
		140-164	4 segment color option, 5 data stepping (eotic speed controlled by CH3)
		165-189	8 segment color option, 5 data stepping (eotic speed controlled by CH3)
		190-224	16 segment color option, 5 data stepping (eotic speed controlled by CH3)
		225-229	Color dynamic eotic 1(eotic speed controlled by CH3)
		230-234	Color dynamic eotic 2(eotic speed controlled by CH3)
		235-239	Color dynamic eotic 3(eotic speed controlled by CH3)
		240-244	Color dynamic eotic 4(eotic speed controlled by CH3)
		245-249	Color dynamic eotic 5(eotic speed controlled by CH3)
		250-255	Color dynamic eotic 6(eotic speed controlled by CH3)
CH3	Color eotic speed	0-9	Without eotic
		10-127	Color clockwise eotic, speed from slow to fast
		128-255	Color anti-clockwise eotic, speed from slow to fast
CH4	Light dot color option	0-255	Pattern light dot color: White-Red-Blue-Pink-Sycan-Yellow-Green(CH7 75-99 Valid)
CH5	Strobe	0-2	No strobe
		3-255	Strobe from slow to fast
CH6	Pattern option	0-255	Pattern option (controlled by CH7, total 10 patterns)
CH7	Pattern group option	0-24	Built-in group 1
		25-49	Built-in group 2
		50-74	Built-in group 3
		75-99	Built-in group 4
		100-124	Built-in group 5
		125-149	ILDA animation group 1
		150-174	ILDA animation group 2
		175-199	ILDA animation group 3
		200-224	ILDA animation group 4
		225-255	ILDA animation group 5
CH8	Pattern zoom	0-63	Pattern size option
		64-127	Speed option from small to larger
		128-191	Speed option from larger to small
		192-255	Zoom speed option



CH9	center rotation	0-127	Angle option
		128-191	Clockwise speed option
		192-255	Anti-Clockwise speed option
CH10	Horizontal rotation	0-127	Flip horizontal direction option
		128-255	Flip horizontal speed option
CH11	Vertical rotation	0-127	Flip vertical direction option
		128-255	Flip vertical speed option
CH12	Pan move	0-255	vertical direction option
CH13	Tilt move	0-255	vertical centre location
CH14	Horizontal wave	0-9	No wave
		10-255	Wave range and speed adjust(range from small to big, speed from slow to fast, every 32 data as one group, total 8 group)
CH15	Vertical wave	0-9	No wave
		10-255	Wave range and speed adjust(range from small to big, speed from slow to fast, every 32 data as one group, total 8 group)
CH16	gradual drawing	0-1	no drawing
		2-63	gradual drawing by manual adjust 1
		64-127	gradual drawing by manual adjust 2
		128-153	auto gradual drawing (increasing)
		154-179	auto gradual drawing (decreasing)
		180-205	Auto gradual drawing( increasing to decreasing, reverse)
		206-255	Auto gradual drawing( increasing to decreasing, syntropy)
CH17	Location tracking option	0-15	No tracking
		16-47	Tracking 1, range and speed controlled by CH18
		48-79	Tracking 2, range and speed controlled by CH18
		80-111	Tracking 3, range and speed controlled by CH18
		112-143	Tracking 4, range and speed controlled by CH18
		144-175	Tracking 5, range and speed controlled by CH18
		176-207	Tracking 6, range and speed controlled by CH18
		208-239	Tracking 7, range and speed controlled by CH18
		240-255	Tracking 8, range and speed controlled by CH18
CH18	Tracking range and speed	0-63	Small tracking, speed from slow to fast
		64-127	Middle tracking, speed from slow to fast
		128-191	Big tracking, speed from slow to fast
		192-255	Max tracking, speed from slow to fast
CH19	Pattern mirroring	0-2	No mirroring( original pattern)
		3-63	X mirroring
		64-127	Y mirroring
		128-191	XY mirroring 1
		192-255	XY mirroring 2
CH20	Built-in dynamic	0-1	No function
		2-213	Built-in dynamic option, speed and color controlled by CH21
		214-255	Auto random, speed and color controlled by CH21
CH21	Built-in speed	0-127	Speed from fast to slow, color built-in fixed
		128-255	Speed from fast to slow, color cotrolled by console

**DMX-512 connection**



<b>DMX In</b>		<b>To the fourth</b>
<b>First light (Address 001)</b>	<b>Second light (Address 018)</b>	<b>Third light(Address 035)</b>
<b>DMX In</b>		<b>To the fourth</b>
<b>First light (Address 001)</b>	<b>Second light (Address 022)</b>	<b>Third light(Address 043)</b>

**DMX Address setting**

Each fixture must set a specific starting address. When receiving signal transmission, fixture will receive channel control signals which from the starting address.

According to different requirements or easy to use, the user can set many value fixtures to the same address, also can set up a separate address for every device.

If you set the same address,all the devices will receive from DMX channels signal. All connecting fixtures are jointly controlled, controller can't separate control a device.

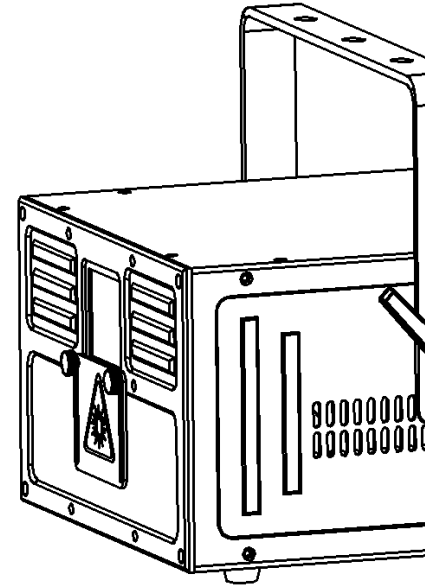
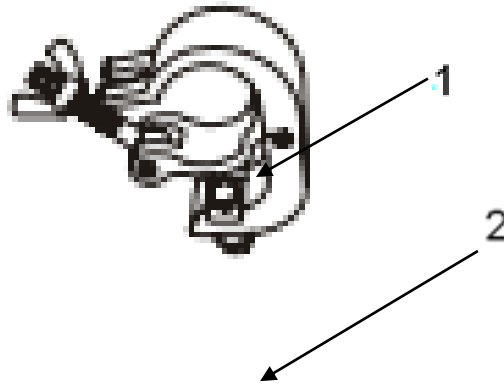
If you set a different address, each device will be separate from its particular set the starting address and begin accepting DMX512 control signal, so that more convenient separate control one device. Using this method must be based on channel quantity of device to determine a starting address.

This laser light has 21 channels.you should set the starting address of the first unit to 1, the second unit to 22(1 + 21), the third unit to 43 (21\*2+ 1), and so on.

## Ringing

1 Mounting bracket

2 Handle



The ambient temperature range is 10°C--40°C, must never be exceeded.

A).The installation of the projector has to be built and constructed in a way that it can hold 10 times the weight for 1 hour without any harming deformation.

B)).When rigging or servicing the fixture staying in the area below the installation place, on bridges,under high working places and other endangered areas is forbidden.

D).The operator has to make sure that safety-relating and machine-technical installations are approved by an expert before taking into operation for the first time and after changes before taking into operation another time.

E).The operator has to make sure that safety-relating and machine-technical installations are approved by a skilled person once a year.

F). Sure M8 screws on mounting bracket fixed middle hole  $\phi$ 12.5mm of handle

## Cleaning and maintenance

Maintenance should be performed every 15-day period, by using a sponge which is dipped with alcohol, rather than wet cloth or other chemical liquid, to clean the mirror.

Always disconnect from the mains when the device is not in use or before cleaning it.



### Caution

Make sure power off before cleaning and maintenance!

## Warning



### Warning!

Never look directly into the light source, as sensitive persons may suffer an epileptic shock (especially meant for epileptics)!



### Warning!

Any power connected must be by professional person

# Warranty Card

This product is made of high-brightness transistor. We will provide 1 year warranty under the condition that user has operated the light normally and lifetime service. We won't provide warranty if the damage is caused by artificial or force majeure event. Cost of fittings should be charged by user if product need maintenance after 1 year. Please cut this warranty card and shipped it along with the product to our factory when applying for warranty.

Product:

Purchasing date:

Code of invoice:

Warranty date: From

To

User's name:

Add:

Company:

Tel: